

AV-7 SANITARY SAMPLING VALVES



SANITARY SAMPLING VALVE

AV-7A ASEPTIC SAMPLING VALVES

OPERATING PRINCIPLES

- The aseptic sampling valve is designed for sterilization before and after sampling.
- Open: Sampling
The manual valve is opened by rotating the handle or by activating the lever.
- Closed: Sterilizing
The built-in spring closes the valve and keeps the channel open between the hoses through reverse process in order to sterilize. If the medium is steam, a small pressure relief valve (optional) on the outlet is recommended.
- Standard Design: the aseptic sampling valve consists of three parts, a valve body, a handle and a membrane. The rubber membrane is placed on the stem and works as a stretchable plug.
- End Connection: Thread, Butt-weld, Sanitary Clamp.
- Handle: Rotary handle or Removeable key for choose from.
- Application: The aseptic sampling valve is applied to beer, milk, beverage, fruit juice, pharmacy industries, etc.



MATERIAL

- Valve body: AISI 316L
- Handle: AISI 304/Plastic
- Membrane: VMQ (Silicone), EPDM

TEMPERATURE

- Max. Temperature: 266 °F (130 °C)
- Dry Steam: 266 °F (130 °C) (29psi, 2bar)
- Recommendation: the seals should be replaced after 200 times sterilizations.

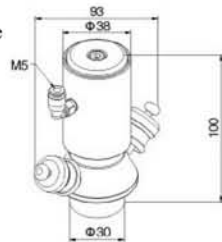
TECHNICAL SPECIFICATION

- Max. Working Pressure: 87psi (6 bar).
- Ends connection can be but-welded or tri-clamp.

INSTALLATION DIMENSION

AV-7PA

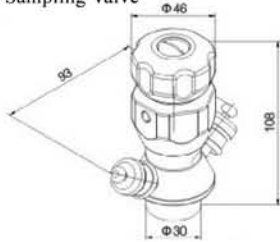
Pneumatic Aseptic Sampling Valve



Features:
 Sampling valve automatically closed after sampling

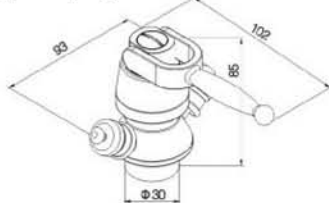
AV-7HA

Handwheel Type Aseptic Sampling Valve



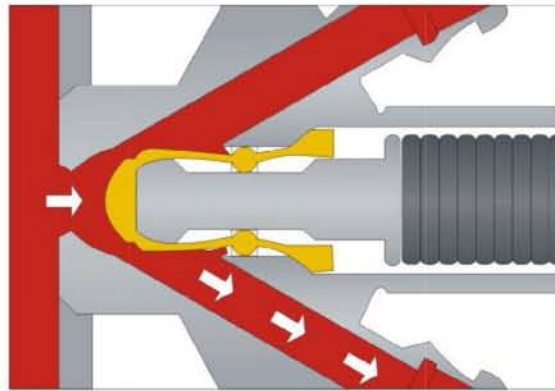
AV-7RA

Removeable Key Handle Type Sampling Valve

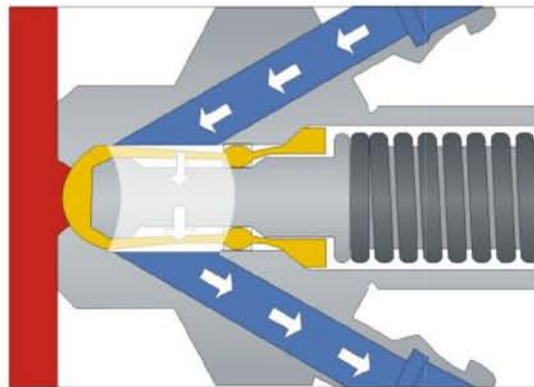


Features:
 This key handle can be removed after each sampling to prevent accidents occur.

OPERATING PRINCIPLES



Open the valve, sampling



Close the valve, sterilizing

AV-7S SANITARY SAMPLING VALVES

APPLICATION

Its mainly applied to extract sample from tank or pipeline. It also can be assembled at the bottom of the tank or pipeline to drain away the remains.

OPERATING PRINCIPLE

Sample Valve

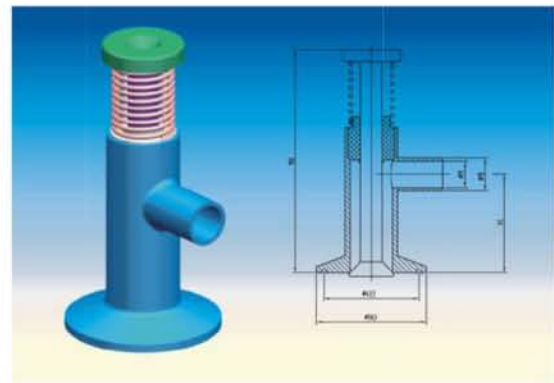
- When turn the hand wheel clockwise, the valve shaft and seal rise up, the valve is open for sampling. When turn the hand wheel anti-clockwise, the valve shaft and seal go down, the valve is closed.

Yogurt Sampling Valve

- The valve seat opens inside of tank or other equipment that it can avoid opening by accident due to much pressure in the pipes.
- The valve is normally closed (by spring). It is open as soon as pushing the handle and closed when loosing up.
- The design of completely drainage water is to avoid remains inside the valves.



Sampling valve with elliptic type handle

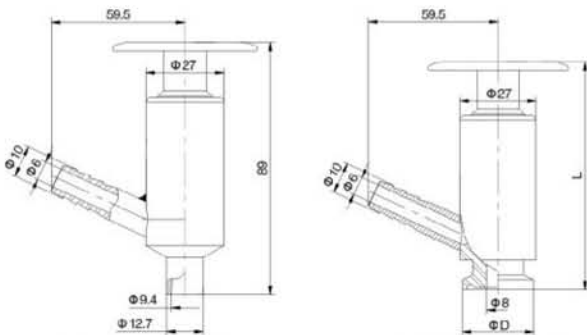


Yogurt Sampling valve

TECHNICAL SPECIFICATION

- Connections: thread, sanitary clamp, butt-weld
- Max. Pressure: 145psi (10bar)
- Min. Pressure: vacuum
- Temperature: 14°F to 248°F (-10°C to 120°C)
- Body Material: AISI 304 / AISI 316L
- Seal Material: Teflon (PTFE)
- Body Material: AISI 304 / AISI 316L
- Seal: Teflon (PTFE)
- O ring: NBR
- Valve Shaft: AISI 304 / AISI 316L
- Spring: AISI 304

Elliptic Type Handle

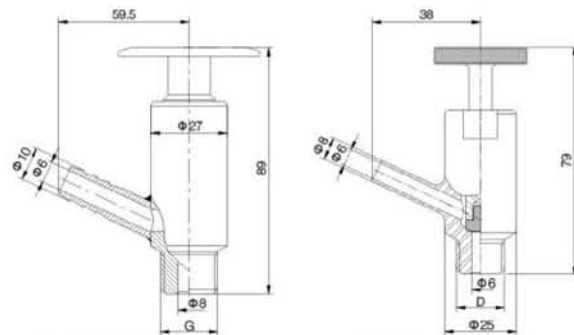


Welded Y Type Hose Sampling Valve 0.5"

Clamp Elliptic Type Handle Sampling Valve

Size	D	L
1"	0.984/25.4	3.504/89
2"	1.984/50.5	3.504/89

(Inch/mm)



Elliptic Handle Sampling Valve Male Thread

Round Handle Sampling Valve Male Thread

Size	G
1/4"	1/4"G - 19
3/8"	3/8"G - 19
1/2"	1/2"G - 14
1"	1"G - 11

Size	D
1/4"	1/4"BSP
3/8"	3/8"BSP
1/2"	1/2"BSP

AV-7LG SANITARY LEVEL GAUGE

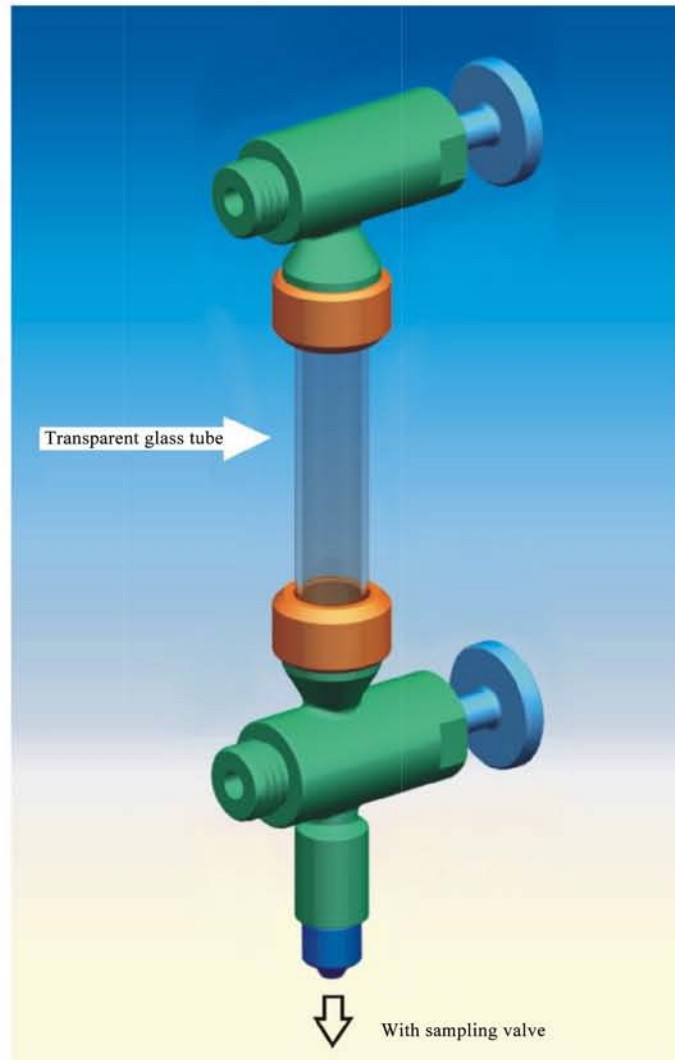


APPLICATION

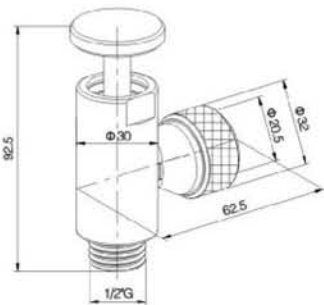
This level gauge is mainly applied to the tank equipments. The two same gauges or two different gauges are assembled on the tank so that the liquid condition or capacity can be observed and the sample can be extracted.

TECHNICAL SPECIFICATION

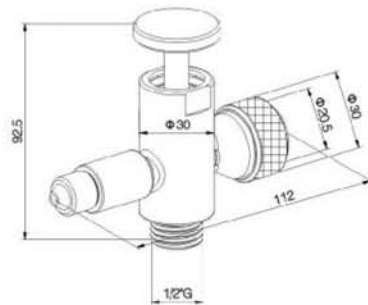
- Max. Pressure: 145psi (10bar)
- Min. Pressure: vacuum
- Temperature: 14°F to 248°F (-10°C to 120°C)
- Body Material: AISI 304 / AISI 316L
- Seal Material: Teflon (PTFE)



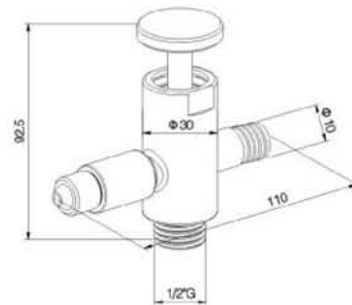
SANITARY SAMPLING VALVE



Level Gauge (Superior)



Level Gauge Sample Valve



Level Gauge With Sample Valve
(With Hose Adaptor)