

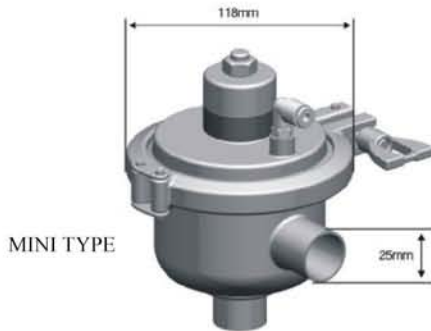
AV-8 CONSTANT PRESSURE VALVES



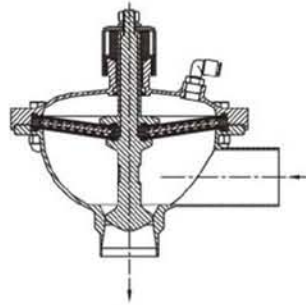
CONSTANT PRESSURE VALVE

APPLICATION

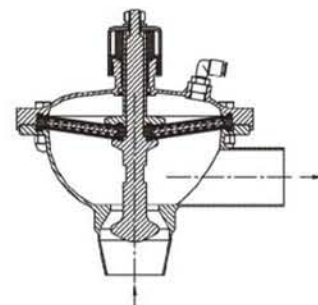
- V type (inlet constant pressure): maintain constant pressure at the valve inlet. Such design is specially applied at the back of heatexchanger. It is used as safety valve.
- A type (outlet constant pressure): maintain constant pressure at the outlet. Such design is used as the front of filling machine and bottle filling machine.

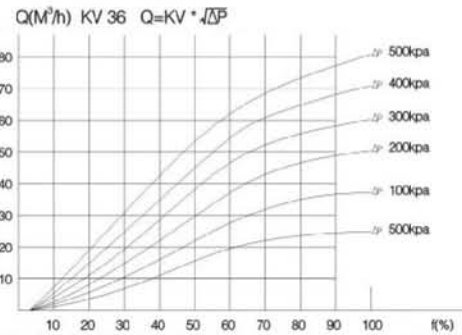
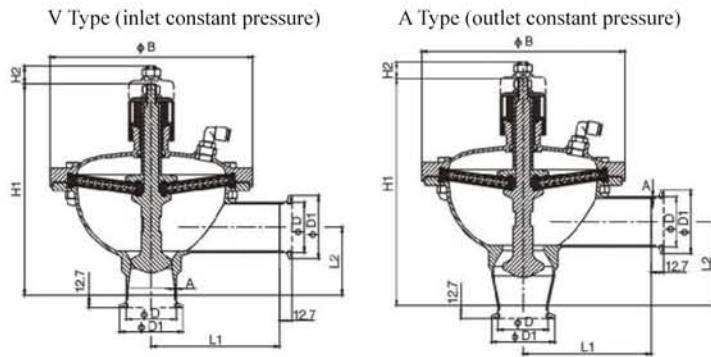


V Type(inlet constant pressure)



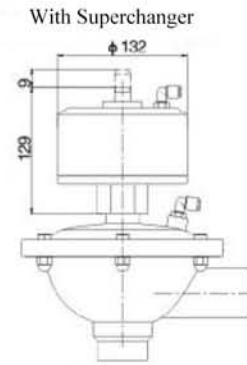
A Type(outlet constant pressure)





Constant Pressure Valve Dimension (mm)

SIZE	D	D1	A	B	L1	L2	H1	H2
V Type	DN40	40	50.5	1.5	206	130	62	206
	1.5"	38.1	50.5	1.5	206	130	62	206
	DN50	52	64	1.5	206	130	69	206
	2"	50.8	64	1.5	206	130	69	206
A Type	2.5"	63.5	77.5	2	206	130	69	206
	DN40	40	50.5	1.5	206	130	78	206
	1.5"	38.1	50.5	1.5	206	130	78	206
	DN50	52	64	1.5	206	130	85	206
2"	50.8	64	1.5	206	130	85	206	
2.5"	63.5	77.5	2	206	130	85	206	



STANDARD DESIGN

- Constant part of the material: 316L (1.4404), other parts: 304
- Seal: EPDM+PTFE (FDA177.2600)
- Connections: Sanitary Clamp, Butt-weld, Thread. (ISO, DIN, SMS, RJT)
- Surface: outside sand blast, inside finished Ra≤0.6μm.
- Working temperature: 14° F to 302° F (-10°C to 150°C)
- Working Pressure: 58-102 psi (4-7 bar), according to the air supply pressure.
- The max working pressure: 174 psi (12 bar), Supercheuger (option).

OPERATING PRINCIPLES

- Constant pressure valve operated by compressed air, automatically run without sensor on piping system or other auxiliary instruments, and only one compressed air pressure regulating valve that maintains pressure stability can be realized the normal work of the valve.
- Diaphragm slice and valve rod can make a quick response to any pressure changes, and correspondingly change the valve stem position, continue to keep the preset pressure value.
- Constant pressure valve-V: inlet pressure constant, the valve opens when pipeline pressure higher than the set pressure. The medium transmission pressure decreases, flow becomes slow, when medium pressure is insufficient, the valve closes. (see chart 1)
- Constant pressure valve-A: outlet pressure constant, when transmitting medium pressure higher than the set pressure, the valve will be closed, The medium transmission pressure decreases, flow becomes slow, when medium pressure is insufficient, the valve opens. (see chart 2)

Note: Please specify inlet/outlet constant pressure when ordering.